

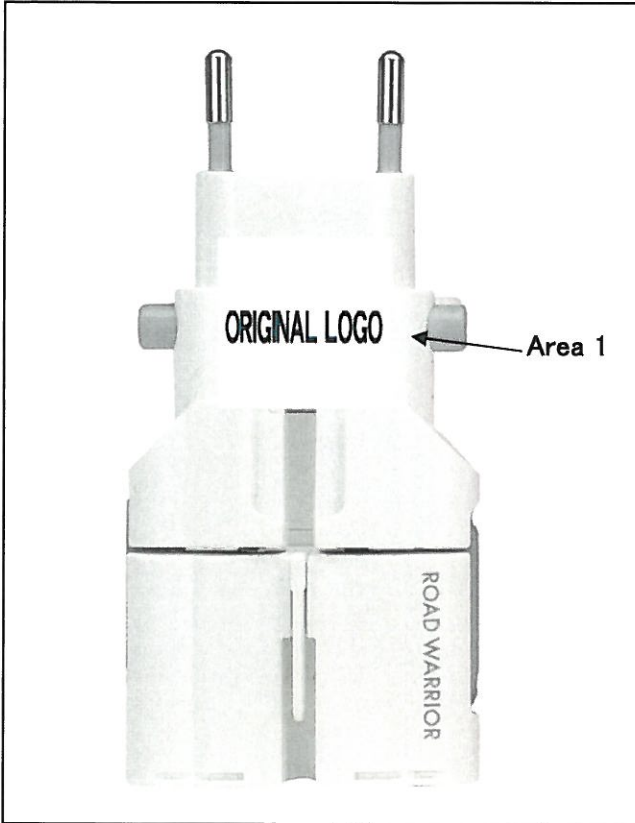
ORIGINAL LOGO ORDER FORM



8 IN 1 UNIVERSAL PLUG ADAPTER
 PRODUCT NAME: GOCONW2

Available to print preferable color to represent your brand. Choose the area from three different areas as Area1, Area2 and Area3. (Other areas are also available if you wish.)

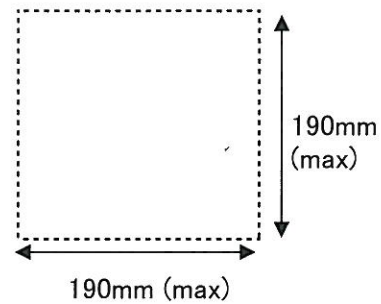
Actual Size



Area 1

Available to print 1 color or 2 colors for your original logo. Place your logo in the appropriate area and consider the size of the printing area (rectangular field is to scale).

Logo Size Width: _____ mm
 Logo Size Height: _____ mm



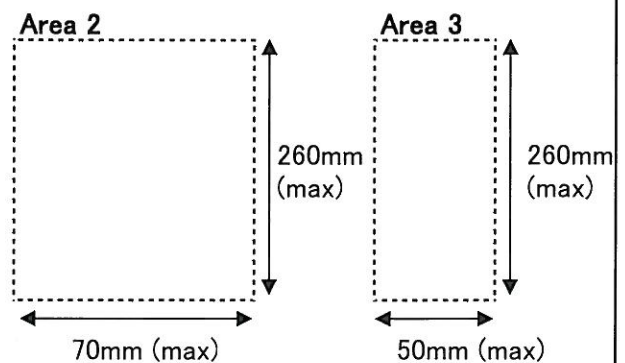
- Logo horizontally centered
- Logo Vertically centered
- Logo specially positioned



Area 2 **Area 3**

Available to print 1 color or 2 colors for your original logo. Place your logo in the appropriate area and consider the size of the printing area (rectangular field is to scale).

Logo Size Width: _____ mm
 Logo Size Height: _____ mm



- Logo horizontally centered
- Logo Vertically centered
- Logo specially positioned

ORIGINAL SILK PRINT LOGO ORDER FORM

SHIROSHITA

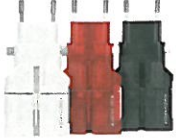


Order Quantity: pieces

Minimum order quantity of 100 pcs per color.

Delivery date: / / (DD/MM/YY)

Please Note: Plug adapter of white color can be delivered immediately from the stocks.
Other colors may take about 2 month after receiving your order.

Delivery Content

Plug adapter <input type="checkbox"/> WHITE (RW75WH) <input type="checkbox"/> BLACK (RW75BK) <input type="checkbox"/> RED (RW75CR) 	<input type="checkbox"/> White box <input type="checkbox"/> Plastic bag 
<input type="checkbox"/> English Manual	<input type="checkbox"/> Original case 

Logo information (Please specify the color with Pantone number)	
Color 1:	Color 2:

※Please attach your logo artwork with AI or EPS file with this order form.

Customer details

Company name:

Contact person:

Address:

Zip code:

Tel:

Fax:

E-mail:

Homepage URL:

Signature and date

Shiroshita Industrial Co.,Ltd
1-1-58 Tokiiri, Ueda-shi, Nagano, 386-0015 Japan
TEL: 81- 268- 22- 0612 Fax: 81-268-22-2176